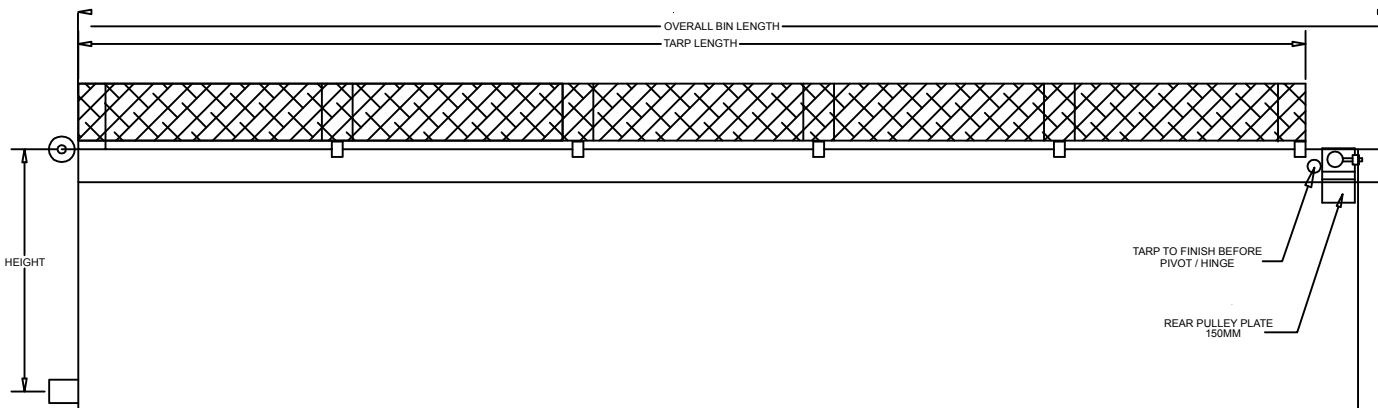
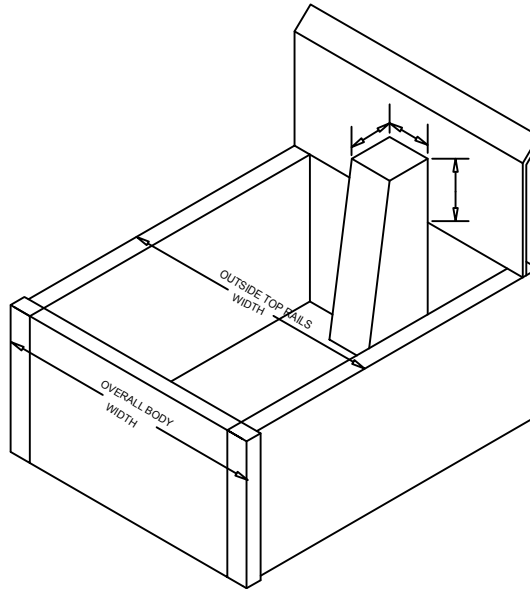
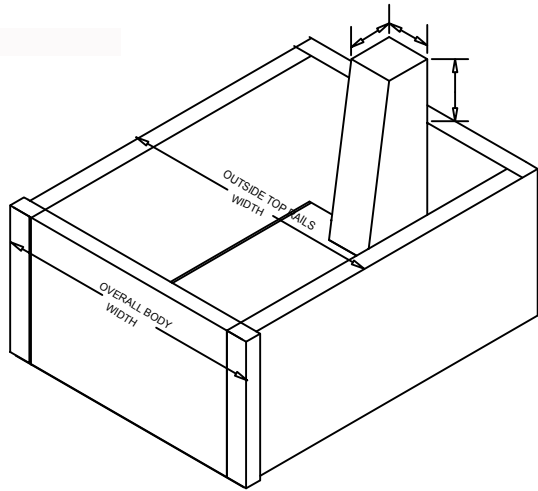




HOOP TARP MEASURE FORM

E: murray@eaglecanvas.com.au P: 07 3279 3816 F :07 3376 5657



NAME							
ORDER NO.							
UNIT NO.							
STYLE	BELT DRIVE			CHAIN DRIVE			
DRIVE	MANUAL						
	THUR SHAFT ELECTRIC						
TYPE	STANDARD	80% WATER PROOF					
MATERIAL	MESH	PVC	CANVAS FR				
COLOUR							
OUTSIDE TOP RAILS							
BODY WIDTH							
TARP LENGTH							
OVERALL BIN LENGTH							
HEIGHT (SHAFT TO HANDLE)							
BOWS	150MM	350MM	450MM				
REPLACEMENT TARP							
NUMBER OF BOWS INCLUDING FIXED							
BRAND OF TARP							
SUPPLY DIMENSIONS OF HOIST IF APPLICABLE							

KIT IF REQUIRED					
WIRE ROPE PULLEY	100MM	150MM			
REAR PULLEY ASSEMBLY	COMPACT	STANDARD			
BELT PULLEY	3 1/2"	6"	SPROCKET 32T		